

**SIZES**  
STACKING CONTAINER SYSTEM



Tel.: +44 (0)1452 30 97 82



Issue : 03/2010

[www.hofbauer.co.uk](http://www.hofbauer.co.uk)

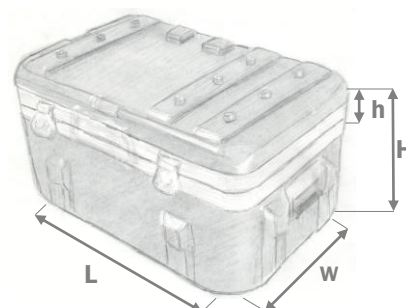
| Part No.   | Length x Width x Ht.<br>L x W X H | lid height<br>h | Weight<br>kg | Part No.      | Length x Width x Ht.<br>L x W X H | lid height<br>h | Weight<br>kg |
|------------|-----------------------------------|-----------------|--------------|---------------|-----------------------------------|-----------------|--------------|
| 102 083    | 280 x 250 x 210                   | 80              | 1.8          | 54 42 29-15 S | 500 x 370 x 275                   | 140             | 4.3          |
| 102 057    | 280 x 250 x 325                   | 160             | 2.2          | 102 039       | 500 x 500 x 490                   | 250             | 6.5          |
| 102 067    | 295 x 195 x 170                   | 90              | 1.9          | 56 24 03 S    | 515 x 190 x 175                   | 55              | 2.9          |
| 102 070-21 | 340 x 320 x 325                   | 105             | 3.8          | 56 24 04 S    | 515 x 190 x 240                   | 55              | 3.1          |
| 102 070-31 | 340 x 320 x 425                   | 105             | 4.1          | 56 24 05 S    | 515 x 190 x 305                   | 120             | 3.3          |
| 102 070-22 | 340 x 320 x 470                   | 240             | 4.8          | 56 24 06 S    | 515 x 190 x 370                   | 185             | 3.5          |
| 102 070-32 | 340 x 320 x 560                   | 240             | 4.8          | 56 32 03 S    | 515 x 270 x 175                   | 55              | 3.4          |
| 102 004-11 | 350 x 245 x 140                   | 75              | 2.0          | 56 32 04 S    | 515 x 270 x 240                   | 55              | 3.6          |
| 102 004-21 | 350 x 245 x 200                   | 75              | 2.3          | 56 32 05 S    | 515 x 270 x 305                   | 120             | 3.8          |
| 102 004-22 | 350 x 245 x 260                   | 135             | 2.6          | 56 32 06 S    | 515 x 270 x 370                   | 185             | 4.1          |
| 102 040    | 355 x 245 x 205                   | 75              | 3.5          | 102 028-20    | 515 x 315 x 270                   | 70              | 4.0          |
| 102 149    | 370 x 330 x 220                   | 115             | 3.5          | 102 028-31    | 515 x 315 x 365                   | 70              | 4.3          |
| 102 099    | 380 x 320 x 335                   | 95              | 3.5          | 56 40 03 S    | 515 x 350 x 175                   | 55              | 3.9          |
| 102 045    | 410 x 220 x 365                   | 125             | 3.2          | 56 40 04 S    | 515 x 350 x 240                   | 55              | 4.1          |
| 102 092    | 410 x 330 x 150                   | 70              | 2.9          | 56 40 05 S    | 515 x 350 x 305                   | 120             | 4.4          |
| 102 061    | 425 x 210 x 330                   | 85              | 3.0          | 56 40 06 S    | 515 x 350 x 370                   | 185             | 4.6          |
| 48 24 03 S | 435 x 190 x 175                   | 55              | 2.6          | 56 48 03 S    | 515 x 430 x 175                   | 55              | 4.4          |
| 48 24 04 S | 435 x 190 x 240                   | 55              | 2.8          | 56 48 04 S    | 515 x 430 x 240                   | 55              | 4.6          |
| 48 24 05 S | 435 x 190 x 305                   | 120             | 3.0          | 56 48 05 S    | 515 x 430 x 305                   | 120             | 4.9          |
| 48 24 06 S | 435 x 190 x 370                   | 185             | 3.2          | 56 48 06 S    | 515 x 430 x 370                   | 185             | 5.5          |
| 48 32 03 S | 435 x 270 x 175                   | 55              | 3.1          | 56 56 03 S    | 515 x 510 x 175                   | 55              | 4.8          |
| 48 32 04 S | 435 x 270 x 240                   | 55              | 3.3          | 56 56 04 S    | 515 x 510 x 240                   | 55              | 5.1          |
| 48 32 05 S | 435 x 270 x 305                   | 120             | 3.5          | 56 56 05 S    | 515 x 510 x 305                   | 120             | 5.4          |
| 48 32 06 S | 435 x 270 x 370                   | 185             | 3.7          | 56 56 06 S    | 515 x 510 x 370                   | 185             | 5.7          |
| 48 40 03 S | 435 x 350 x 175                   | 55              | 3.5          | 6 4 4         | 550 x 350 x 400                   | 110             | 5.3          |
| 48 40 04 S | 435 x 350 x 240                   | 55              | 3.7          | 102 051       | 560 x 265 x 295                   | 150             | 4.4          |
| 48 40 05 S | 435 x 350 x 305                   | 120             | 4.0          | 102 087-22    | 560 x 360 x 400                   | 205             | 5.7          |
| 48 40 06 S | 435 x 350 x 370                   | 185             | 4.2          | 61 42 12-6 S  | 560 x 365 x 100                   | 45              | 4.3          |
| 48 48 03 S | 435 x 430 x 175                   | 55              | 3.9          | 61 42 16-6 S  | 560 x 365 x 140                   | 45              | 4.4          |
| 48 48 04 S | 435 x 430 x 240                   | 55              | 4.2          | 61 42 23-7 S  | 560 x 365 x 210                   | 70              | 4.7          |
| 48 48 05 S | 435 x 430 x 305                   | 120             | 4.4          | 102 068-22    | 560 x 540 x 200                   | 105             | 6.3          |
| 48 48 06 S | 435 x 430 x 370                   | 185             | 4.7          | 102 068-32    | 560 x 540 x 250                   | 105             | 6.4          |
| 102 036-21 | 445 x 300 x 330                   | 150             | 3.5          | 102 068-33    | 560 x 540 x 295                   | 150             | 6.5          |
| 102 036-31 | 445 x 300 x 450                   | 150             | 4.0          | 102 068-42    | 560 x 540 x 300                   | 105             | 6.5          |
| 102 064    | 460 x 210 x 210                   | 105             | 3.0          | 102 068-43    | 560 x 540 x 345                   | 150             | 7.2          |
| 102 072-22 | 480 x 365 x 225                   | 115             | 4.0          | 102 068-52    | 560 x 540 x 350                   | 105             | 6.8          |
| 102 072-32 | 480 x 365 x 275                   | 115             | 4.3          | 102 068-44    | 560 x 540 x 400                   | 205             | 7.4          |
| 102 072-42 | 480 x 365 x 325                   | 115             | 4.6          | 102 068-53    | 560 x 540 x 405                   | 150             | 8.2          |
| 102 072-33 | 480 x 365 x 335                   | 170             | 5.3          | 102 068-54    | 560 x 540 x 460                   | 205             | 8.6          |
| 102 072-52 | 480 x 365 x 365                   | 115             | 5.0          | 102 068-55    | 560 x 540 x 520                   | 265             | 8.8          |
| 102 072-43 | 480 x 365 x 375                   | 170             | 5.4          | 102 087-22    | 565 x 360 x 400                   | 205             | 5.7          |
| 102 072-44 | 480 x 365 x 420                   | 215             | 5.6          | 102 087-42    | 565 x 360 x 595                   | 205             | 6.0          |
| 102 072-53 | 480 x 365 x 425                   | 170             | 5.6          | 102 010       | 570 x 265 x 425                   | 140             | 4.8          |
| 102 072-54 | 480 x 365 x 470                   | 215             | 5.8          | 62 50 25-13 S | 570 x 450 x 240                   | 125             | 5.0          |
| 102 072-55 | 480 x 365 x 515                   | 260             | 6.0          | 62 50 30-16 S | 570 x 450 x 290                   | 150             | 5.3          |
| 102 023-21 | 495 x 375 x 145                   | 55              | 3.2          | 102 069-11    | 580 x 450 x 210                   | 110             | 6.2          |
| 102 023-31 | 495 x 375 x 185                   | 55              | 3.4          | 102 069-21    | 580 x 450 x 315                   | 110             | 6.3          |
| 102 023-33 | 495 x 375 x 255                   | 130             | 4.1          | 102 069-31    | 580 x 450 x 410                   | 110             | 6.4          |

**L\*, W\*, H\*, h\* are usable interior dimensions.**

**All interior dimensions are in mm.**

Hofbauer (UK) Ltd  
St.Albans Road  
Gloucester GL2 5FW, UK.  
Tel.: +44 (0)1452 30 97 82  
Fax: +44 (0)1452 30 98 84

[www.hofbauer.co.uk](http://www.hofbauer.co.uk)



**SIZES**  
STACKING CONTAINER SYSTEM



Tel.: +44 (0)1452 30 97 82



Issue : 03/2010

[www.hofbauer.co.uk](http://www.hofbauer.co.uk)

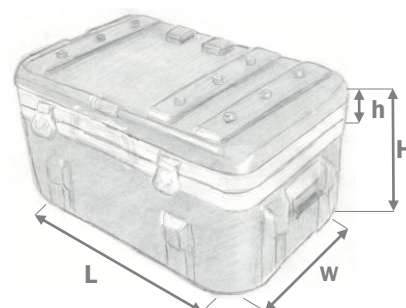
| Part No.      | Length x Width x Ht.<br>L x W X H | lid height<br>h | Weight<br>kg | Part No.    | Length x Width x Ht.<br>L x W X H | lid height<br>h | Weight<br>kg |
|---------------|-----------------------------------|-----------------|--------------|-------------|-----------------------------------|-----------------|--------------|
| 102 069-22    | 580 x 450 x 410                   | 210             | 6.4          | 72 32 03 S  | 675 x 270 x 175                   | 55              | 4.1          |
| 102 069-32    | 580 x 450 x 510                   | 210             | 6.8          | 72 32 04 S  | 675 x 270 x 240                   | 55              | 4.4          |
| 102 069-33    | 580 x 450 x 610                   | 310             | 7.2          | 72 32 05 S  | 675 x 270 x 305                   | 120             | 4.6          |
| 102 027       | 585 x 510 x 240                   | 125             | 6.2          | 72 32 06 S  | 675 x 270 x 370                   | 185             | 4.9          |
| 64 24 03 S    | 595 x 190 x 175                   | 55              | 3.1          | 72 40 03 S  | 675 x 350 x 175                   | 55              | 4.7          |
| 64 24 04 S    | 595 x 190 x 240                   | 55              | 3.4          | 72 40 04 S  | 675 x 350 x 240                   | 55              | 5.0          |
| 64 24 05 S    | 595 x 190 x 305                   | 120             | 3.6          | 72 40 05 S  | 675 x 350 x 305                   | 120             | 4.3          |
| 64 24 06 S    | 595 x 190 x 370                   | 185             | 3.8          | 72 40 06 S  | 675 x 350 x 370                   | 185             | 5.6          |
| 64 32 03 S    | 595 x 270 x 175                   | 55              | 3.7          | 72 48 03 S  | 675 x 430 x 175                   | 55              | 5.3          |
| 64 32 04 S    | 595 x 270 x 240                   | 55              | 3.9          | 72 48 04 S  | 675 x 430 x 240                   | 55              | 5.6          |
| 64 32 05 S    | 595 x 270 x 305                   | 120             | 4.2          | 72 48 05 S  | 675 x 430 x 305                   | 120             | 5.9          |
| 64 32 06 S    | 595 x 270 x 370                   | 185             | 4.4          | 72 48 06 S  | 675 x 430 x 370                   | 185             | 6.2          |
| 64 40 03 S    | 595 x 350 x 175                   | 55              | 4.2          | 72 56 03 S  | 675 x 510 x 175                   | 55              | 5.9          |
| 64 40 04 S    | 595 x 350 x 240                   | 55              | 4.5          | 72 56 04 S  | 675 x 510 x 240                   | 55              | 6.2          |
| 64 40 05 S    | 595 x 350 x 305                   | 120             | 4.8          | 72 56 05 S  | 675 x 510 x 305                   | 120             | 6.6          |
| 64 40 06 S    | 595 x 350 x 370                   | 185             | 5.0          | 72 56 06 S  | 675 x 510 x 370                   | 185             | 6.9          |
| 64 48 03 S    | 595 x 430 x 175                   | 55              | 4.8          | 72 64 03 S  | 675 x 590 x 175                   | 55              | 6.5          |
| 64 48 04 S    | 595 x 430 x 240                   | 55              | 5.1          | 72 64 04 S  | 675 x 590 x 240                   | 55              | 6.9          |
| 64 48 05 S    | 595 x 430 x 305                   | 120             | 5.4          | 72 64 05 S  | 675 x 590 x 305                   | 120             | 7.2          |
| 64 48 06 S    | 595 x 430 x 370                   | 185             | 5.7          | 72 64 06 S  | 675 x 590 x 370                   | 185             | 7.6          |
| 64 56 03 S    | 595 x 510 x 175                   | 55              | 5.3          | 72 72 03 S  | 675 x 670 x 175                   | 55              | 7.8          |
| 64 56 04 S    | 595 x 510 x 240                   | 55              | 5.6          | 72 72 04 S  | 675 x 670 x 240                   | 55              | 8.2          |
| 64 56 05 S    | 595 x 510 x 305                   | 120             | 6.0          | 72 72 05 S  | 675 x 670 x 305                   | 120             | 8.6          |
| 64 56 06 S    | 595 x 510 x 370                   | 185             | 6.3          | 72 72 06 S  | 675 x 670 x 370                   | 185             | 8.9          |
| 64 64 03 S    | 595 x 590 x 175                   | 55              | 5.9          | 102 029     | 680 x 325 x 360                   | 80              | 5.8          |
| 64 64 04 S    | 595 x 590 x 240                   | 55              | 6.2          | 102 008-21  | 680 x 345 x 220                   | 45              | 5.8          |
| 64 64 05 S    | 595 x 590 x 305                   | 120             | 6.5          | 102 008-31  | 680 x 345 x 280                   | 45              | 6.0          |
| 64 64 06 S    | 595 x 590 x 370                   | 185             | 6.9          | 102 008-41  | 680 x 345 x 340                   | 45              | 6.9          |
| 102 097       | 595 x 595 x 500                   | 250             | 9.2          | 102 030     | 680 x 515 x 360                   | 80              | 7.5          |
| 66 53 27-11 S | 610 x 485 x 250                   | 95              | 5.5          | 102 044     | 680 x 620 x 200                   | 100             | 8.8          |
| 66 53 34-18 S | 610 x 485 x 320                   | 165             | 5.8          | 102 048     | 695 x 155 x 215                   | 110             | 3.0          |
| 102 062-11    | 620 x 350 x 220                   | 115             | 4.5          | 102 002-21  | 705 x 280 x 200                   | 50              | 5.6          |
| 102 062-21    | 620 x 350 x 270                   | 115             | 4.8          | 102 002-31  | 705 x 280 x 270                   | 50              | 5.7          |
| 102 062-22    | 620 x 350 x 320                   | 165             | 5.0          | 102 002-41  | 705 x 280 x 330                   | 50              | 5.8          |
| 102 062-31    | 620 x 350 x 370                   | 115             | 5.2          | 102 002-32  | 705 x 280 x 360                   | 140             | 5.8          |
| 102 062-32    | 620 x 350 x 420                   | 165             | 5.2          | 102 002-42  | 705 x 280 x 420                   | 140             | 5.9          |
| 102 062-41    | 620 x 350 x 470                   | 115             | 5.4          | 102 086     | 710 x 280 x 275                   | 140             | 5.5          |
| 102 062-42    | 620 x 350 x 520                   | 165             | 5.5          | 102 034     | 740 x 340 x 220                   | 110             | 5.0          |
| 102 062-33    | 620 x 350 x 520                   | 265             | 5.5          | 102 063-750 | 750 x 200 x 150                   | 75              | 3.8          |
| 102 062-43    | 620 x 350 x 620                   | 265             | 5.8          | 102 003-21  | 750 x 330 x 200                   | 50              | 5.8          |
| 102 062-44    | 620 x 350 x 720                   | 365             | 6.0          | 102 003-31  | 750 x 330 x 270                   | 50              | 5.9          |
| 102 059       | 630 x 520 x 200                   | 100             | 5.3          | 102 003-41  | 750 x 330 x 330                   | 50              | 6.0          |
| 102 024-21    | 640 x 405 x 145                   | 55              | 4.3          | 102 003-32  | 750 x 330 x 360                   | 140             | 6.0          |
| 102 024-31    | 640 x 405 x 185                   | 55              | 4.4          | 102 003-42  | 750 x 330 x 420                   | 140             | 6.2          |
| 102 024-33    | 640 x 405 x 255                   | 130             | 4.8          | 102 066     | 750 x 340 x 400                   | 200             | 7.0          |
| 102 037       | 650 x 550 x 810                   | 410             | 8.5          | 102 065     | 750 x 655 x 600                   | 305             | 10.5         |
| 102 012-21    | 655 x 565 x 340                   | 100             | 8.8          | 80 40 03 S  | 755 x 350 x 175                   | 55              | 5.1          |
| 102 022       | 665 x 665 x 510                   | 170             | 10.0         | 80 40 04 S  | 755 x 350 x 240                   | 55              | 5.4          |

**L\*, W\*, H\*, h\* are usable interior dimensions.**

**All interior dimensions are in mm.**

Hofbauer (UK) Ltd  
St.Albans Road  
Gloucester GL2 5FW, UK.  
Tel.: +44 (0)1452 30 97 82  
Fax: +44 (0)1452 30 98 84

[www.hofbauer.co.uk](http://www.hofbauer.co.uk)



**SIZES**  
STACKING CONTAINER SYSTEM



Tel.: +44 (0)1452 30 97 82



Issue : 03/2010

[www.hofbauer.co.uk](http://www.hofbauer.co.uk)

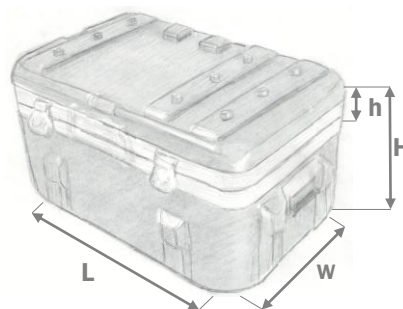
| Part No.   | Length x Width x Ht.<br>L x W X H | lid height<br>h | Weight<br>kg | Part No.     | Length x Width x Ht.<br>L x W X H | lid height<br>h | Weight<br>kg |
|------------|-----------------------------------|-----------------|--------------|--------------|-----------------------------------|-----------------|--------------|
| 80 40 05 S | 755 x 350 x 305                   | 120             | 5.7          | 102 153      | 880 x 280 x 215                   | 110             | 5.8          |
| 80 40 06 S | 755 x 350 x 370                   | 185             | 6.0          | 102 073      | 880 x 280 x 325                   | 110             | 6.6          |
| 80 48 03 S | 755 x 430 x 175                   | 55              | 5.7          | 102 154      | 880 x 280 x 445                   | 225             | 7.1          |
| 80 48 04 S | 755 x 430 x 240                   | 55              | 6.0          | 102 082-11   | 890 x 450 x 220                   | 115             | 7.0          |
| 80 48 05 S | 755 x 430 x 305                   | 120             | 6.4          | 102 082-21   | 890 x 450 x 320                   | 115             | 7.5          |
| 80 48 06 S | 755 x 430 x 370                   | 185             | 6.7          | 102 082-22   | 890 x 450 x 420                   | 215             | 7.8          |
| 80 56 03 S | 755 x 510 x 175                   | 55              | 6.4          | 102 082-31   | 890 x 450 x 420                   | 115             | 7.8          |
| 80 56 04 S | 755 x 510 x 240                   | 55              | 6.7          | 102 082-32   | 890 x 450 x 520                   | 215             | 7.9          |
| 80 56 05 S | 755 x 510 x 305                   | 120             | 7.1          | 102 082-33   | 890 x 450 x 620                   | 315             | 8.2          |
| 80 56 06 S | 755 x 510 x 370                   | 185             | 7.4          | 102 018      | 905 x 905 x 400                   | 200             | 19.0         |
| 80 64 03 S | 755 x 590 x 175                   | 55              | 7.0          | 102 020-33   | 930 x 730 x 600                   | 300             | 19.0         |
| 80 64 04 S | 755 x 590 x 240                   | 55              | 7.4          | 102 091-11   | 940 x 540 x 210                   | 110             | 7.0          |
| 80 64 05 S | 755 x 590 x 305                   | 120             | 7.8          | 102 091-31   | 940 x 540 x 390                   | 110             | 10.5         |
| 80 64 06 S | 755 x 590 x 370                   | 185             | 8.2          | 102 091-33   | 940 x 540 x 570                   | 290             | 13.5         |
| 80 72 03 S | 755 x 670 x 175                   | 55              | 8.4          | 102 025-31   | 975 x 375 x 185                   | 55              | 6.0          |
| 80 72 04 S | 755 x 670 x 240                   | 55              | 8.8          | 102 025-33   | 975 x 375 x 270                   | 140             | 6.5          |
| 80 72 05 S | 755 x 670 x 305                   | 120             | 9.2          | 102 089      | 995 x 810 x 410                   | 205             | 26.5         |
| 80 72 06 S | 755 x 670 x 370                   | 185             | 9.6          | 102 009-11   | 1005 x 290 x 215                  | 110             | 6.3          |
| 80 80 03 S | 755 x 750 x 175                   | 55              | 9.1          | 102 009-21   | 1005 x 290 x 335                  | 110             | 7.1          |
| 80 80 04 S | 755 x 750 x 240                   | 55              | 9.5          | 102 056      | 1010 x 650 x 310                  | 160             | 12.0         |
| 80 80 05 S | 755 x 750 x 305                   | 120             | 9.9          | 102 049      | 1025 x 160 x 200                  | 105             | 4.1          |
| 80 80 06 S | 755 x 750 x 370                   | 185             | 10.3         | 102 033      | 1045 x 260 x 215                  | 110             | 5.5          |
| 102 080-11 | 780 x 760 x 200                   | 100             | 14.0         | 102 063-1050 | 1050 x 200 x 150                  | 75              | 4.8          |
| 102 080-21 | 780 x 760 x 305                   | 100             | 15.0         | 102 078-22   | 1150 x 750 x 370                  | 190             | 26.1         |
| 102 080-22 | 780 x 760 x 405                   | 200             | 16.5         | 102 078-32   | 1150 x 750 x 470                  | 190             | 26.3         |
| 102 080-41 | 780 x 760 x 505                   | 100             | 16.0         | 102 078-33   | 1150 x 750 x 57                   | 290             | 26.5         |
| 102 080-42 | 780 x 760 x 605                   | 200             | 17.0         | 102 078-42   | 1150 x 750 x 575                  | 190             | 26.3         |
| 102 080-44 | 780 x 760 x 805                   | 405             | 17.8         | 102 078-43   | 1150 x 750 x 675                  | 290             | 26.5         |
| 102 006-11 | 785 x 525 x 205                   | 105             | 6.8          | 102 078-44   | 1150 x 750 x 815                  | 410             | 26.5         |
| 102 006-21 | 785 x 525 x 295                   | 105             | 6.9          | 102 054      | 1170 x 345 x 370                  | 190             | 9.5          |
| 102 006-31 | 785 x 525 x 360                   | 105             | 7.8          | 102 013-21   | 1180 x 500 x 190                  | 60              | 10.7         |
| 102 006-22 | 785 x 525 x 385                   | 195             | 7.0          | 102 013-22   | 1180 x 500 x 265                  | 135             | 12.0         |
| 102 006-41 | 785 x 525 x 425                   | 105             | 8.2          | 102 031-11   | 1200 x 405 x 315                  | 160             | 9.3          |
| 102 006-32 | 785 x 525 x 450                   | 195             | 7.9          | 102 031-21   | 1200 x 405 x 410                  | 160             | 9.8          |
| 102 006-42 | 785 x 525 x 525                   | 195             | 8.5          | 102 007-11   | 1200 x 1000 x 195                 | 100             | 23.0         |
| 102 006-43 | 785 x 525 x 595                   | 260             | 8.8          | 102 007-31   | 1200 x 1000 x 265                 | 135             | 25.0         |
| 102 053    | 800 x 450 x 495                   | 95              | 7.6          | 102 007-33   | 1200 x 1000 x 565                 | 285             | 27.0         |
| 102 074-33 | 840 x 575 x 320                   | 165             | 9.0          | 102 014-21   | 1245 x 835 x 315                  | 105             | 17.0         |
| 102 074-43 | 840 x 575 x 370                   | 165             | 9.4          | 102 015-11   | 1275 x 260 x 135                  | 70              | 6.0          |
| 102 074-44 | 840 x 575 x 420                   | 215             | 9.8          | 102 015-21   | 1275 x 260 x 175                  | 70              | 6.3          |
| 102 074-53 | 840 x 575 x 425                   | 165             | 9.8          | 102 015-22   | 1275 x 260 x 240                  | 110             | 6.6          |
| 102 074-63 | 840 x 575 x 470                   | 165             | 10.0         | 102 017-11   | 1300 x 700 x 380                  | 190             | 21.0         |
| 102 074-54 | 840 x 575 x 475                   | 215             | 10.0         | 102 017-21   | 1300 x 700 x 535                  | 190             | 22.0         |
| 102 074-64 | 840 x 575 x 520                   | 215             | 10.3         | 102 017-22   | 1300 x 700 x 690                  | 345             | 22.0         |
| 102 074-55 | 840 x 575 x 520                   | 265             | 10.5         | 102 096      | 1340 x 645 x 410                  | 210             | 20.5         |
| 102 074-65 | 840 x 575 x 570                   | 265             | 11.0         | 102 094      | 1345 x 385 x 360                  | 180             | 14.3         |
| 102 074-66 | 840 x 575 x 620                   | 315             | 11.0         | 102 005-21   | 1400 x 495 x 190                  | 60              | 13.0         |
| 102 060    | 840 x 640 x 580                   | 290             | 11.0         | 102 005-22   | 1400 x 495 x 265                  | 135             | 13.5         |

**L\*, W\*, H\*, h\* are usable interior dimensions.**

**All interior dimensions are in mm.**

Hofbauer (UK) Ltd  
St.Albans Road  
Gloucester GL2 5FW, UK.  
Tel.: +44 (0)1452 30 97 82  
Fax: +44 (0)1452 30 98 84

[www.hofbauer.co.uk](http://www.hofbauer.co.uk)

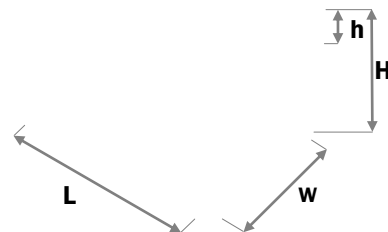


| Part No.   | Length x Width x Ht.<br>L x W X H | lid height<br>h | Weight<br>kg | Part No. | Length x Width x Ht.<br>L x W X H | lid height<br>h | Weight<br>kg |
|------------|-----------------------------------|-----------------|--------------|----------|-----------------------------------|-----------------|--------------|
| 102 035-41 | 1490 x 800 x 490                  | 100             | 30.0         |          |                                   |                 |              |
| 102 035-42 | 1490 x 800 x 540                  | 150             | 31.0         |          |                                   |                 |              |
| 102 035-44 | 1490 x 800 x 790                  | 410             | 33.0         |          |                                   |                 |              |
| 102 016-11 | 1500 x 575 x 160                  | 80              | 18.8         |          |                                   |                 |              |
| 102 016-21 | 1500 x 575 x 280                  | 80              | 20.0         |          |                                   |                 |              |
| 102 016-22 | 1500 x 575 x 400                  | 200             | 23.2         |          |                                   |                 |              |
| 102 038    | 1610 x 870 x 690                  | 345             | 33.0         |          |                                   |                 |              |
| 102 063    | 1690 x 200 x 150                  | 75              | 6.7          |          |                                   |                 |              |
| 102 095    | 1690 x 580 x 430                  | 215             | 23.0         |          |                                   |                 |              |
| 102 058    | 1695 x 260 x 160                  | 80              | 8.5          |          |                                   |                 |              |
| 102 021-21 | 1795 x 360 x 215                  | 55              | 12.5         |          |                                   |                 |              |
| 102 021-22 | 1795 x 360 x 325                  | 165             | 13.4         |          |                                   |                 |              |
| 102 011    | 1820 x 870 x 580                  | 290             | 30.0         |          |                                   |                 |              |
| 102 042    | 1850 x 495 x 290                  | 145             | 21.0         |          |                                   |                 |              |
| 102 001-21 | 2020 x 875 x 230                  | 80              | 35.9         |          |                                   |                 |              |
| 102 001-22 | 2020 x 875 x 300                  | 150             | 36.1         |          |                                   |                 |              |
| 102 001-31 | 2020 X 875 X 360                  | 80              | 36.3         |          |                                   |                 |              |
| 102 001-32 | 2020 X 875 X 430                  | 150             | 37.0         |          |                                   |                 |              |
| 102 001-33 | 2020 X 875 X 560                  | 280             | 37.3         |          |                                   |                 |              |

**All Thermodyne - Container® are stackable:**

1. Standard Container with the same part number
2. All Containers with "S" on the part number will inter-stack in mixed sizes.

**All Thermodyne - Container® are supplied with: O-ring moisture/dust seal, corrosion resistant handles, catches and stainless steel hinged lids. A wide variety of special fittings are available to special request.**



**L\*, W\*, H\*, h\* are usable interior dimensions.**

**All interior dimensions are in mm.**

Hofbauer (UK) Ltd  
 St.Albans Road  
 Gloucester GL2 5FW, UK.  
 Tel.: +44 (0)1452 30 97 82  
 Fax: +44 (0)1452 30 98 84

